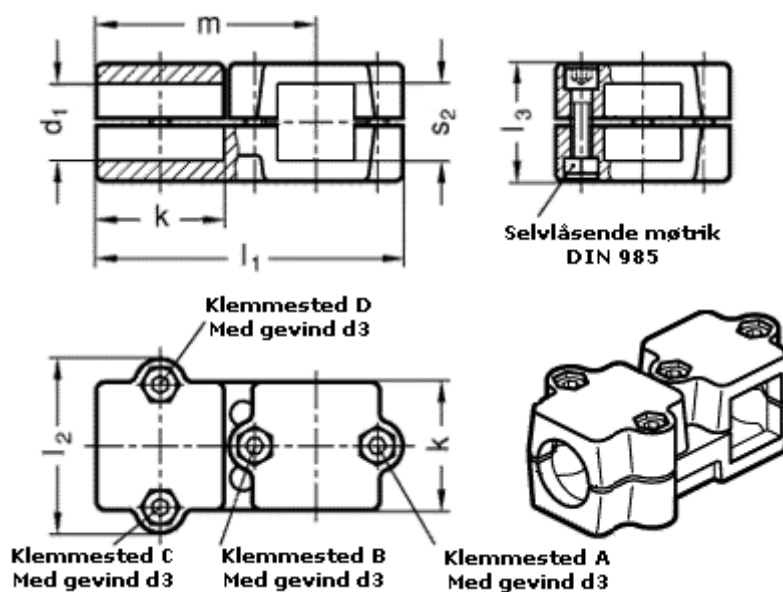


Article number: 20194V45B452BL

Description: E+G

T-angel clamps GN194-V45-B45-2-BL

Measures



d2 = 45
d3 = M10
k = 76
l1 = 176
l2 = 98
l3 = 70
m = 126
s1 = 45